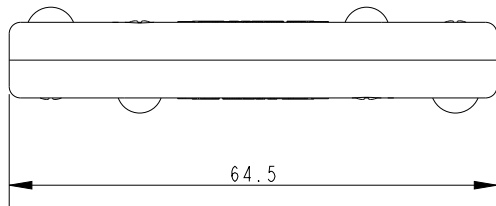
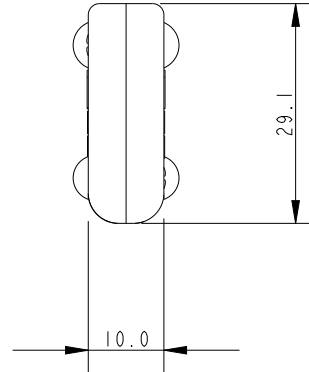


SECTION XSEC0001-XSEC0001
SCALE 1:1



Specification					
To Suit Batten Width mm	To Suit Batten Thickness mm	Length mm	Width mm	Thickness mm	Weight g
40	5	64	30	10	11

DIMENSIONS FOR REFERENCE ONLY
allenbrothers.co.uk
 +44(0)1621 772477

Title	Description
A-351-REF	Batten Protector With Stainless Steel Screws