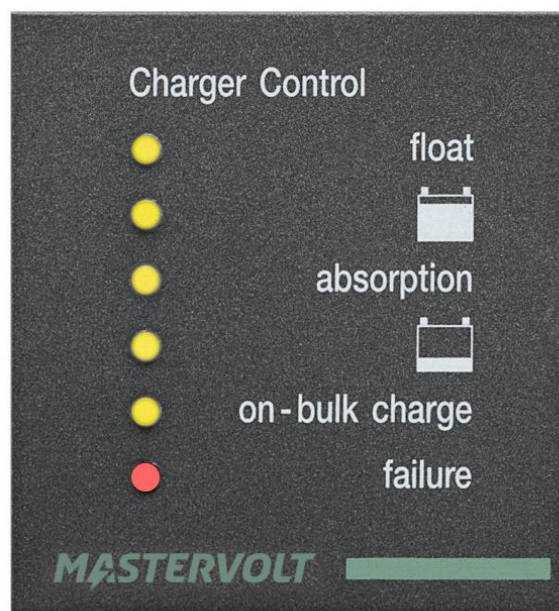


MASTERVOLT

THE POWER TO BE INDEPENDENT

MASTerview READ-OUT

Charger Remote Panel for the MasterBus network



USER AND INSTALLATION MANUAL

- (EN) For the latest version of this manual, visit our website:
- (NL) Ga om deze handleiding in andere talen te downloaden naar onze website:
- (DE) Um diese Anleitung in anderen Sprachen herunterzuladen, besuchen Sie bitte unsere Website:
- (FR) Pour télécharger ce manuel dans d'autres langues, consultez notre site Web :
- (ES) Para descargar este manual en otros idiomas, visite nuestro sitio web:
- (IT) Per scaricare questo manuale in altre lingue, visitare la pagina del prodotto sul nostro sito Web:

www.mastervolt.com

1 GENERAL INFORMATION

Use of this manual

This manual serves as a guideline for the safe and effective operation of the MasterView Read-out. Keep this manual at a secure place!

Warranty

Mastervolt assures the product warranty of the MasterView Read-out during two years after purchase, on the condition that the product is installed and used according to the instructions in this manual.

Installation or use not according to these instructions may result in under performance, damage or failure of the product and may void this warranty. The warranty is limited to the cost of repair and/or replacement of the product. Costs of labour or shipping are not covered by this warranty.



CAUTION!

Never remove the identification label. This will void the warranty.

Liability

Mastervolt can accept no liability for:

- consequential damage due to use of the MasterView Read-out;
- possible errors in the manuals and the results thereof;
- use that is inconsistent with the purpose of the product.

Disclaimer

Our products are subject to continual development and improvement. Therefore, additions or modifications to the products may cause changes to the technical data and functional specifications. No rights can be derived from this document. Please consult our online Terms & Conditions of Sale.

Correct disposal of this product



Please be informed about the local separate collection system for electrical and electronic products.

Please act according to your local rules and do not dispose of your old products with your

normal household waste. The correct disposal of your old product will help prevent potential negative consequences to the environment and human health.

2 INSTALLATION

What you need:

- MasterView Read-out
- MasterBus Terminator
- ChargeMaster with MasterBus connections (not included)
- MasterBus connection cable (not included)

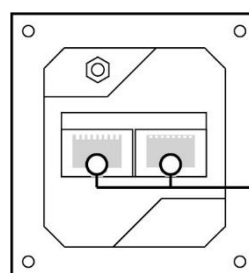
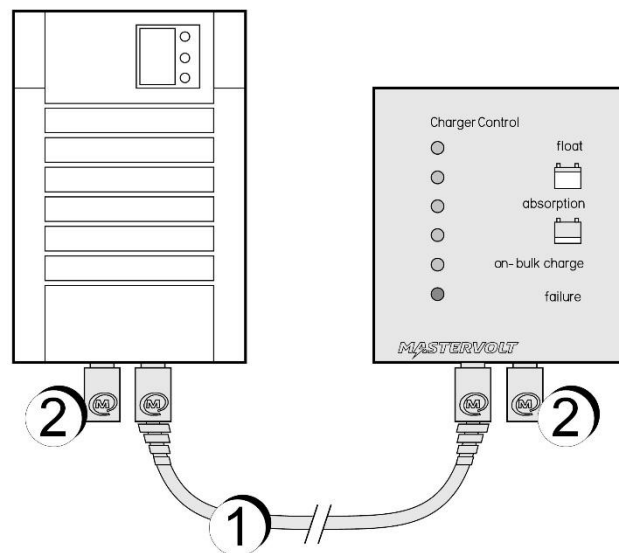
Installation:

Step 1. Disconnect the charger AC.

Step 2. Connect the Read-out panel to the ChargeMaster, using (1) a MasterBus cable and (2) two MasterBus Terminators.

Step 3. Reconnect the charger AC.

The charger will recognize the Read-out and be configured automatically to use this panel (Set up *automatic*, see chapter 3).



MasterBus connectors

MasterBus connections of the MasterView Read-out, front and back side

3 OPERATION

The MasterView Read-out operation is entirely MasterBus based. The table below shows the Read-out MasterBus functions, accessible via the free downloadable MasterAdjust software. For information about MasterAdjust, MasterBus and the MasterBus event structure, see www.mastervolt.com.

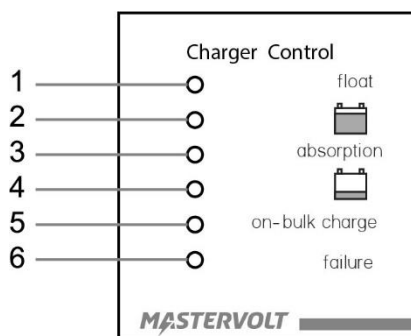
	Description	Default	Range
Monitoring			
Charger State	Charger state can be On, Off or alarm. On: on-bulk charge LED illuminating, Alarm: red failure LED illuminating.	Off	On/ Off/ Alarm*
Configuration			
Mode	Bar mode means the LEDs from the bottom up to the actual level illuminate. Dotted mode means the LED at the actual level illuminates.	Bar**	Bar/ Dotted
Language	Set the Read-out menu language.	English	See specifications
Device name	Any name you wish with 12 characters max	Read out 6	12 characters max
Set up	The way to configure the charger for use with the Read-out. Choose “manual” for custom programming.	Automatic	Automatic, Manual

* When the charger is in alarm, it sends out a signal to the Read-out.

** As per firmware version 1.10, the default setting is bar mode.

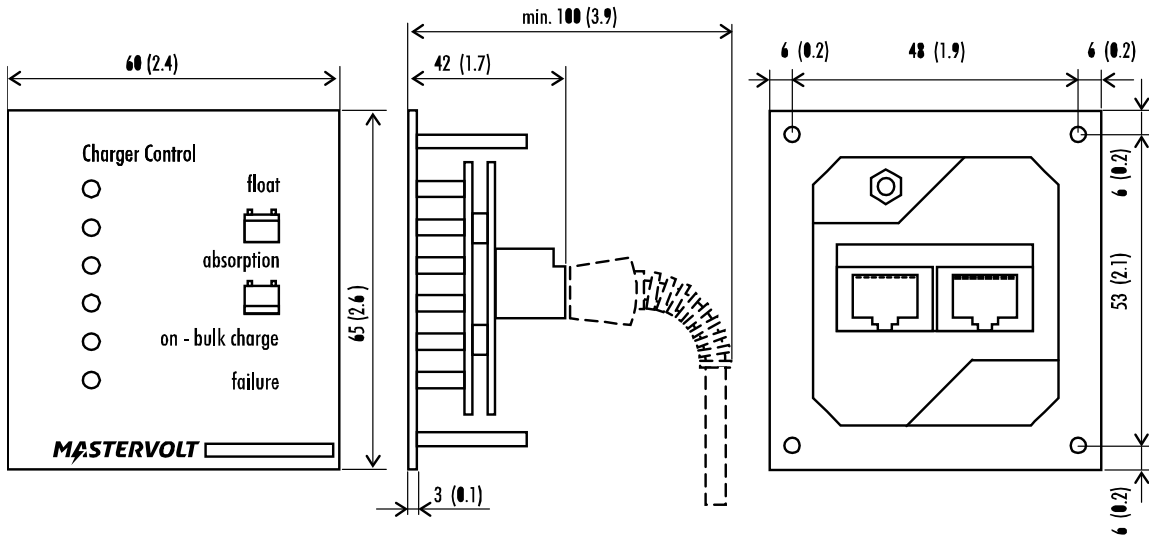
4 DISPLAY FUNCTIONS

1. State of charge: Float
2. State of charge: 60-80%
3. State of charge: Absorption
4. State of charge: 20-40%
5. Charger On, State of charge: Bulk
6. Continuously red: Charger in Failure,
Blinking red: Charger in alarm
No LED illuminating: Charger Off

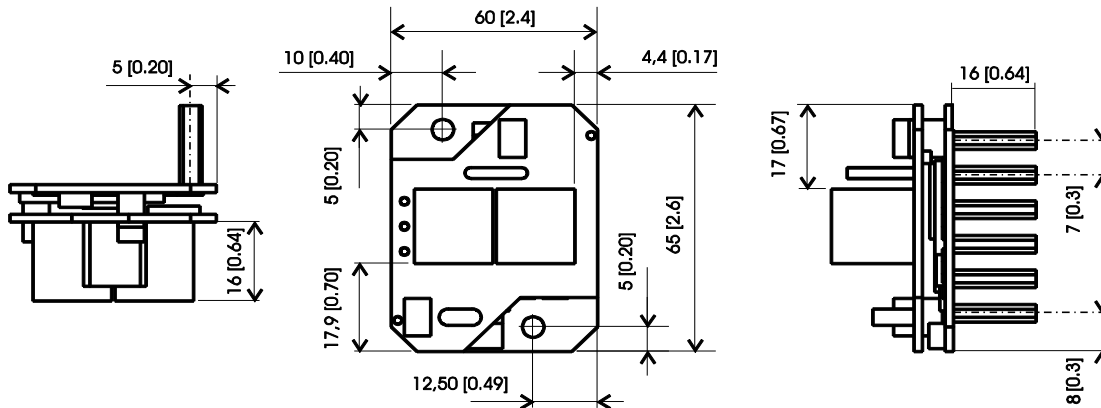


5 SPECIFICATIONS

Model:	MasterView Read-out (OEM)
Product code:	77010050 (OEM: 77010030)
Delivery also includes:	MasterBus Terminator, English user manual
Function of instrument:	Charger Remote Panel for the MasterBus network
Compatible with:	See the MasterView Read-out product page on the Mastervolt website for an overview of supported battery chargers
Languages available:	English, Nederlands
Power consumption:	144 mW
MasterBus Powering:	No
MasterVision mounting:	Yes (not the OEM device)
Protection degree:	IP 21
Operating temperature:	-20°C to 70°C [-4°F to 158°F]
Weight:	Approx. 70 gr [0.15 lb]
Dimensions:	See drawing on next page



Dimensions in mm [inch]



Dimensions OEM device in mm [inch]

MASTERVOLT

THE POWER TO BE INDEPENDENT

**Europe, Middle East & Africa****Technical Support**

T: +31 (0) 20 34 22 100

E: ts.emea@OneASG.com

Location & Shipping

Advanced Systems Group EMEA
 Snijdersbergweg 93
 1105 AN Amsterdam
 The Netherlands

Americas & Caribbean**Technical Support**

T: +1 262 293 0600 / 800 307 6702

E: tech.mastervolt@OneASG.com

Location & Shipping

Advanced Systems Group US
 N85 W12545 Westbrook Crossing
 Menomonee Falls, WI 53051
 United States

Asia Pacific**Technical Support**

T: +64 9 415 7261

E: technical.apac@OneASG.com

Location & Shipping

Advanced Systems Group APAC
 42 Apollo Drive
 Rosedale, Auckland 0632
 New Zealand

Document version: 10000017611/02 (April 22)

Copyright ©2022 Advanced Systems Group EMEA B.V. All rights reserved.