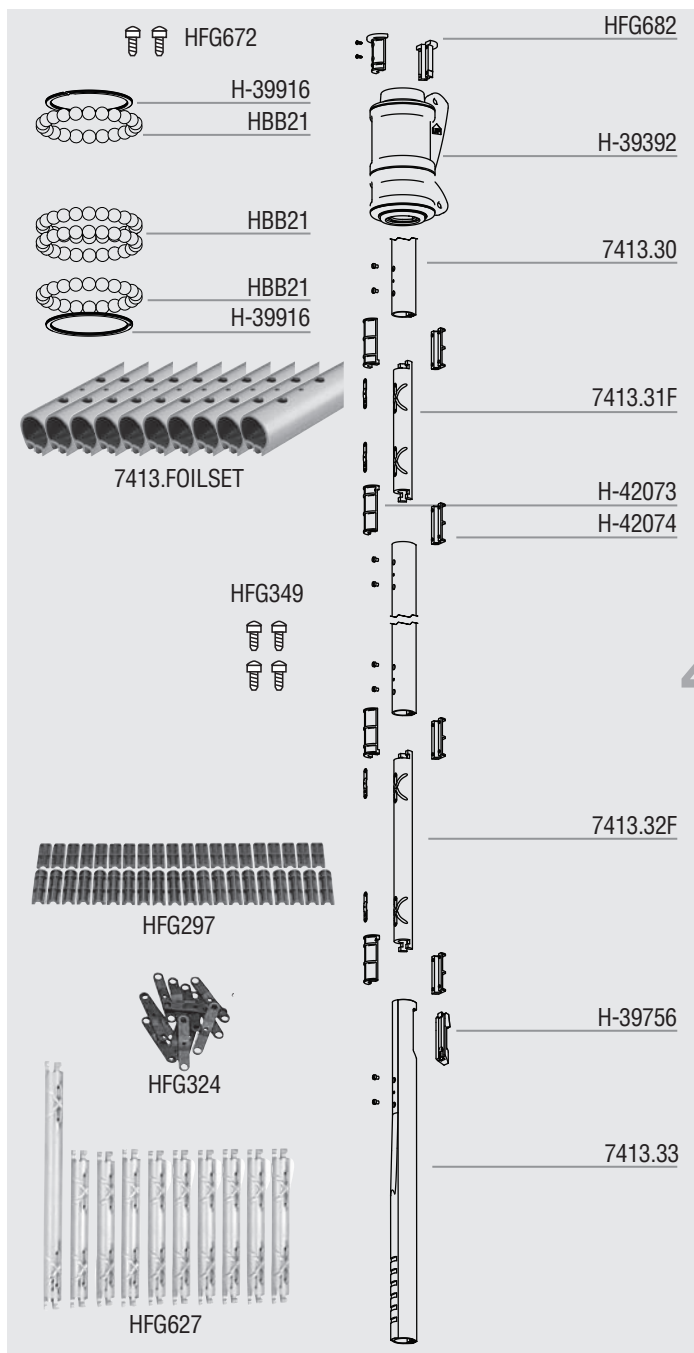


	Description	Order	Part No.
1	Top Cover	2	H-38819
	Top Cover Screw	2	HFS1091
	Bottom Flange	2	H-38820
	Bottom Flange Screw	2	HFS1060
2	Guard	2	H-38212
	Guard Screw	2	HFS1107
	Clamp	1	H-42967
	Clamp Screw	4	HFS1107
3	Hub Assembly	1	7413.10BASE.OS
	Ball Plugs	5	H-38168
	Torlon Ball Bearing (1/2")	25	HBB22
	Delrin Ball Bearing (1/2")	100	HBB21
	Igus Crosspin Bushing	4	H-38145

No.	Description	Order	Part No.
5	Rod Adapter Stud (-22) w/Nosepiece	1	7426 -22
	1 Stud (Main Body)	1	H-41812
	2 Nosepiece -22	1	H-41811
	3 Cotter Pin (3/32 x 1.750)	2	HFG319
6	Rod Adapter Stud (-30) w/Nosepiece	1	7427 -30
	1 Stud (Main Body)	1	H-41814
	2 Nosepiece -30	1	H-41813
	3 Cotter Pin (3/32 x 1.750)	2	HFG319
4 Stud Cap 7/8" ID	1	HFG303	

No.	Description	Order	Part No.
6	Eye/Jaw Toggle Reversible	1	7413.20 3/4.OS
	1 Toggle	1	H-42351
	2 Crosspin (1/2" x 4")	1	H-42402
	3 Cross Hole Plug	2	H-42052
	4 Clevis Pin (3/4" x 1 3/4")	1	H-42403
	5 Cotter Pin (1/8" x 1")	1	HFS220
7	Eye/Jaw Toggle Reversible	1	7413.20 7/8.OS
	1 Toggle	1	H-42352
	2 Crosspin (1/2" x 4")	1	H-42402
	3 Cross Hole Plug	2	H-42052
	4 Clevis Pin (7/8" x 1")	1	H-42404
	5 Cotter Pin (1/8" x 1")	1	HFS220
6 Cotter Pin (5/32" x 1 1/4")	1	HFS203	

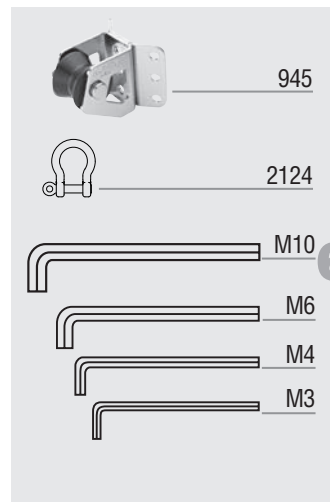
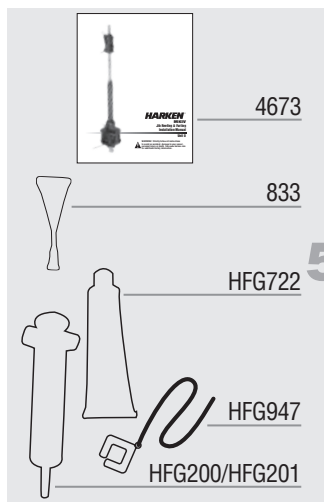
No.	Description	Order	Part No.
7	Long Link Plate w/Toggle		7313.21 3/4
	1 Toggle	1	H-41489
	2 Plates	2	H-42568
	3 Cross Pin (Custom)	1	H-42583
	4 Clevis Pin	1	H-42403
	5 Isolator	2	H-42585
	6 Cotter Pin	2	HFS203
	7 Nylock Nut	2	HFS991
8 Allen Cap Screws	4	HFS903	
7	Long Link Plate w/Toggle		7313.21 7/8
	1 Toggle	1	H-42562
	2 Plates	2	H-42568
	3 Cross Pin (Custom)	1	H-42584
	4 Clevis Pin	1	H-42404
	5 Isolator	2	H-42585
	6 Cotter Pin	2	HFS203
	7 Nylock Nut	2	HFS991
8 Allen Cap Screws	4	HFS903	



4

Description	Order	Part No.
<b>Trim Cap Set w/o Screws</b>	<b>1</b>	<b>HFG682</b>
<b>Trim Cap Screw Set</b>	<b>1</b>	<b>HFG672</b>
Trim Cap Screw	2	HFS1127
<b>Halyard Swivel</b>	<b>1</b>	<b>H-39392</b>
Clip/Smally Ring for Balls	2	H-39916
Torlon Ball Bearings	88	HBB21
<b>Foil Set</b>	<b>1</b>	<b>7413.FOILSET</b>
Foil (7' / 2.13 m Luff)	10	7413.30
<b>Foil (2' / 610 mm) Bottom</b>	<b>1</b>	<b>7413.33</b>
<b>Foil Screw Set</b>	<b>1</b>	<b>HFG349</b>
Foil Screw	46	HFS1106
<b>Connector Set</b>	<b>1</b>	<b>HFG627</b>
Connector	9	7413.31F
Bottom Connector (9 <sup>3</sup> / <sub>4</sub> " / 247 mm)	1	7413.32F
<b>Connector Bushing Set</b>	<b>1</b>	<b>HFG297</b>
Connector Bushing Top (Curved/Longer)	20	H-42073
Connector Bushing Bottom (Flat/Shorter)	20	H-42074
<b>Plastic Connector Wedge Set</b>	<b>1</b>	<b>HFG324</b>
Plastic Connector Wedge	22	H-39487
<b>Feeder with Screw and Tab</b>	<b>1</b>	<b>H-39756</b>
Feeder Tab	1	H-38372A
Screw	1	HFS1130

4



5

Description	Order	Part No.
<b>Instruction Manual</b>	<b>1</b>	<b>4673</b>
<b>Blue Loctite®</b>	<b>1</b>	<b>833</b>
<b>5200 Adhesive Set</b>	<b>1</b>	<b>HFG725</b>
5200 Marine Adhesive Sealant	1	HFG722
Injector	1	HFG200 HFG201
<b>Prefeeder</b>	<b>1</b>	<b>947</b>

6

Description	Order	Part No.
<b>Halyard Restraint (Optional)</b>	<b>1</b>	<b>945</b>
Sheave/SS Inner Race Only	1	945A
Clevis Pin (1/4" x 1.0625" 18-8)	1	HCP208
Bracket-Large	1	HCP394
Cotter Pin (1/16" x .500" 18-8)	1	HFS181
<b>Shackle</b>	<b>3</b>	<b>2124</b>
<b>Allen Wrenches</b>		
M10	1	HFG647
M6	1	HFG644
M4	1	HFG640
M3	1	HCP1089