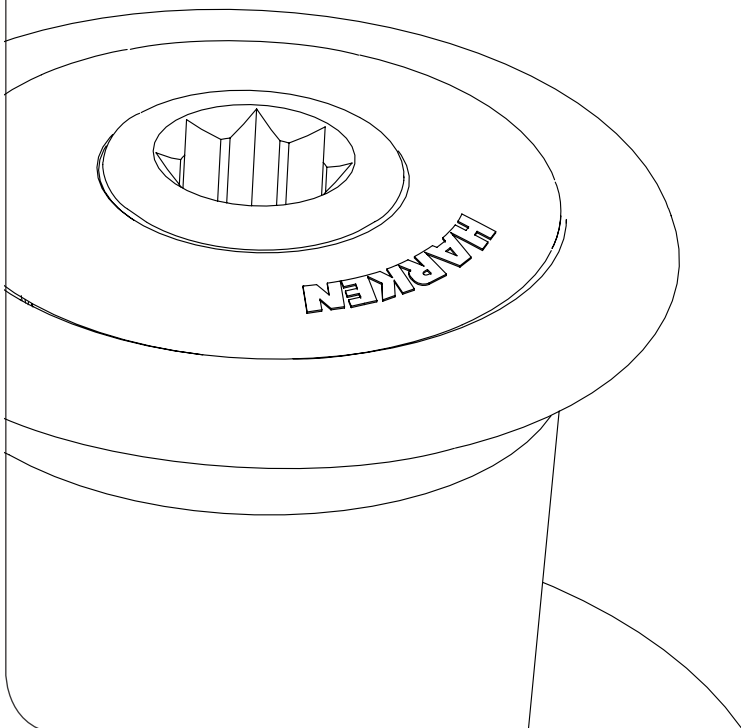


# Installation and Maintenance Manual

MRW-00

## Radial Winch 20.2 PT **BBB / CCC**



**HARKEN<sup>®</sup>**

<b>Introduction</b> .....	<b>3</b>
<b>Technical characteristics</b> .....	<b>3</b>
<i>Weights</i>	3
<i>Maximum working load</i>	3
<b>Outline</b> .....	<b>3</b>
<b>Installation</b> .....	<b>4</b>
<i>Procedure</i>	5
<i>Installation procedure</i>	6
<b>Maintenance</b> .....	<b>7</b>
<i>Washing</i>	7
<i>Maintenance table</i>	7
<i>Disassembly procedure</i>	7
<i>Exploded view with maintenance products</i>	10
<i>Assembly</i>	11
<b>Harken® limited worldwide warranty</b> .....	<b>11</b>
<b>Ordering spare parts</b> .....	<b>11</b>
<b>Exploded view</b> .....	<b>13</b>
<b>Parts List</b> .....	<b>15</b>
<i>Radial Winch 20 PTBBB</i>	15
<i>Radial Winch 20 PTCCC</i>	16

## Introduction

This manual gives technical information on winch installation and maintenance, including disassembling and reassembling.

This information is DESTINED EXCLUSIVELY for specialised personnel or expert users.

Installation, disassembling and reassembling of the winch by personnel who are not experts may cause serious damage to users and those in the vicinity of the winch.

Harken® accepts no responsibility for defective installation or reassembly of its winches.

In case of doubt the Harken® Tech Service is at your disposal at [techservice@harken.it](mailto:techservice@harken.it)

This Manual is available only in English. If you do not fully understand the English language, do not carry out the operations described in this Manual.

## Technical characteristics

	Power ratio	Gear ratio
1st speed	6,95 : 1	1 : 1
2nd speed	19,20 : 1	2,76 : 1

*The theoretical power ratio does not take friction into account.*

### Weights

	PT BBB/CCC versions
Weight (Kg)	3,60

Versions:

BBB = all bronze

CCC = All-Chrome bronze

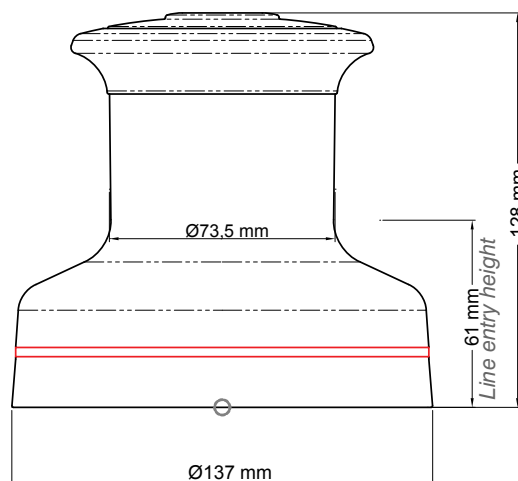
### Maximum working load



#### **WARNING!**

The maximum working load (MWL) for the 20.2 PT Radial Winch is 550 Kg (1213 lb). Subjecting the winch to loads above the maximum working load can cause the winch to fail or pull off the deck suddenly and unexpectedly during high loads causing severe injury or death.

## Outline



## Installation

The winch must be installed on a flat area of the deck, reinforced if necessary to bear a load equal to at least twice the maximum working load of the winch.

It is the installer's responsibility to carry out all structural tests needed to ensure that the deck can bear the load. Harken® does not supply the screws needed to install the winch since these may vary depending on the deck on which it is to be installed.

It is the installer's responsibility to choose the correct screws taking account of the loads they will have to bear. Harken® assumes no responsibility for incorrect installation of its winches or for an incorrect choice of mounting screws.



### DANGER!

Incorrect installation of the winch may cause severe injury or death. Consult the yard that built the boat in the case of doubt over the correct positioning of the winch.



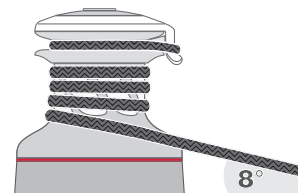
### WARNING!

Failure to use the correct number and type of mounting fasteners or failure to ensure the correct deck strength can result in the winch pulling off the deck suddenly and unexpectedly during high loads causing severe injury or death.



### WARNING!

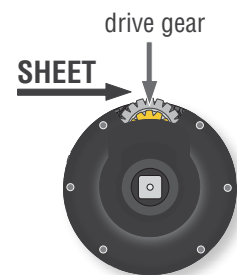
Verify the entry angle of the sheet. This must be  $8^\circ$  with tolerance of  $\pm 2^\circ$ , to avoid sheet overrides and damaging the winch or making the winch inoperable leading to loss of control of the boat which can lead to severe injury or death.



### WARNING!

Mount the winch on the deck so that the drive gear is positioned where the sheet enters the winch drum.

Incorrect position of drive gear can weaken winch leading to failure which can cause an accident leading to severe injury or death.



Once you have chosen the correct mounting position for the winch on the deck proceed with installation.

The winch can be installed following the procedure below:

### Procedure

To install the winch you must remove the drum and use Socket Head (SH) and Hexagonal Headed (HH) bolts.

#### Tools needed


One medium flat-bladed screwdriver



To identify the various parts, refer to the exploded view at the end of this Manual.

 Torque to apply when assembling



1. Unscrew the central screw ( 2Nm/18 in-lb)



2. Lift off the drum n°12 with the socket n°18

Install the winch on the deck in the position you have chosen, keeping in mind the limits described on page 3.

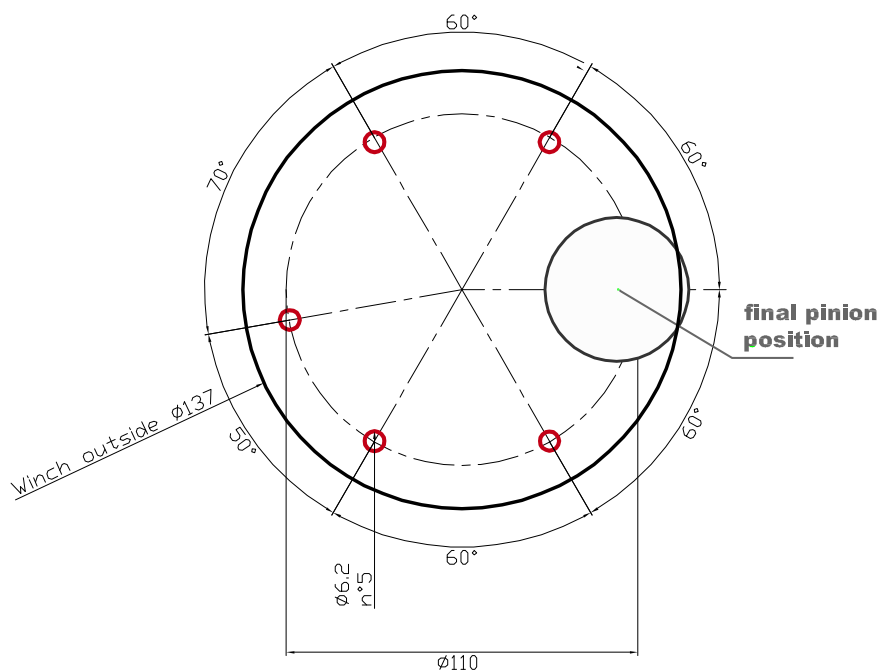
## Installation procedure

Carry out the **Procedure**, then install the winch on the deck in the chosen position.

- A.** Position the base of the winch on the deck and mark the position of the holes or use the drilling cut-out template at the point where you have decided to place the winch.

Below is a reduced scale diagram.

The drilling cut out template is available on the Harken® website, [www.harken.com](http://www.harken.com)



- B.** Remove the winch and drill the five 6.2 mm diameter holes.
- C.** Bolt the base of the winch to the deck using five M6 bolts (not supplied by Harken®), correctly chosen for the thickness and type of the boat deck. Consult the yard that built the boat in case of doubt.



### **WARNING!**

To install the winch on the deck, use only bolts in A4 stainless steel (DIN 267 part11). Bolts made of other materials may not have sufficient strength or may corrode which can result in winch pulling off deck suddenly and unexpectedly during high loads causing severe injury or death.

### **NOTICE**

To mount winches on the deck, do not use countersunk bolts.

- D.** Fill the mounting holes with a suitable marine sealant.
- E.** Remove the excess adhesive/sealant from the holes and base drainage channels
- F.** Reassemble the winch following the steps in the **Procedure** in the reverse order, and apply the products indicated in the section on maintenance.

**NOTICE**

Before closing the winch, make sure the holes and drainage channels in the base of the winch are not obstructed.

**Maintenance**Washing

Winches must be washed frequently with fresh water, and in any case after each use. Do not allow teak cleaning products or other cleaners containing caustic solutions to come into contact with winches and especially anodised, chrome plated or plastic parts. Do not use solvents, polishes or abrasive pastes on the logos or stickers on the winches. Make sure that the holes and drainage channels in the base of the winch are not obstructed so that water does not collect.

Maintenance table

Winches must be visually inspected at the beginning and end of every season of sailing or racing. In addition they must be completely overhauled, cleaned and lubricated at least every 12 months. After an inspection, replace worn or damaged components. Do not replace or modify any part of the winch with a part that is not original.

**WARNING!**

Periodic maintenance must be carried out regularly. Lack of adequate maintenance shortens the life of the winch, can cause serious injury and also invalidate the winch warranty. Installation and maintenance of winches must be carried out exclusively by specialized personnel.

In the case of doubt contact Harken® Tech Service at [techservice@harken.it](mailto:techservice@harken.it)

Disassembly procedure*Tools needed*

One medium flat-bladed screwdriver

A number five hex key



Rags

To identify the various parts refer to the exploded view at the end of this Manual.

 Torque to be applied in assembly phase

Carry out the **Procedure** as shown in the paragraph on winch installation and then do the following:



3. Completely unscrew the three screws n°17



4. Remove the socket support n°11



5. Slide out the central shaft n°6



6. Remove the pin n°5

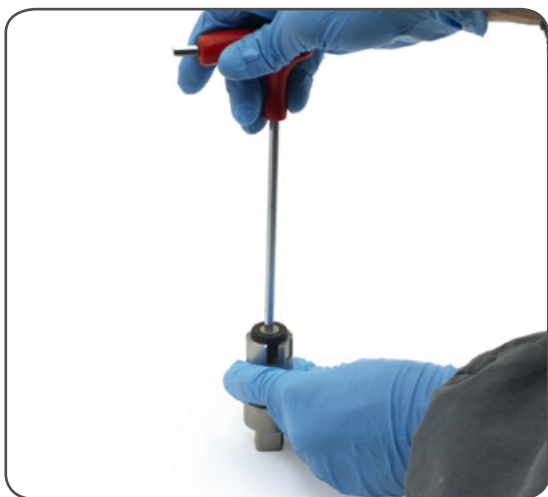


7. Slide off gear n°2



8. Slide off gear n°10





9. Unscrew the screw n°9 and remove the washer n°8 (⚙️ 4Nm/35 in-lb)

Once the winch is completely disassembled, clean the parts: use a basin of diesel oil to soak metal components and rinse plastic parts in fresh water. Once you have done this, dry the parts with cloths that do not leave residue.

Inspect gears, bearings, pins and pawls for any signs of wear or corrosion.

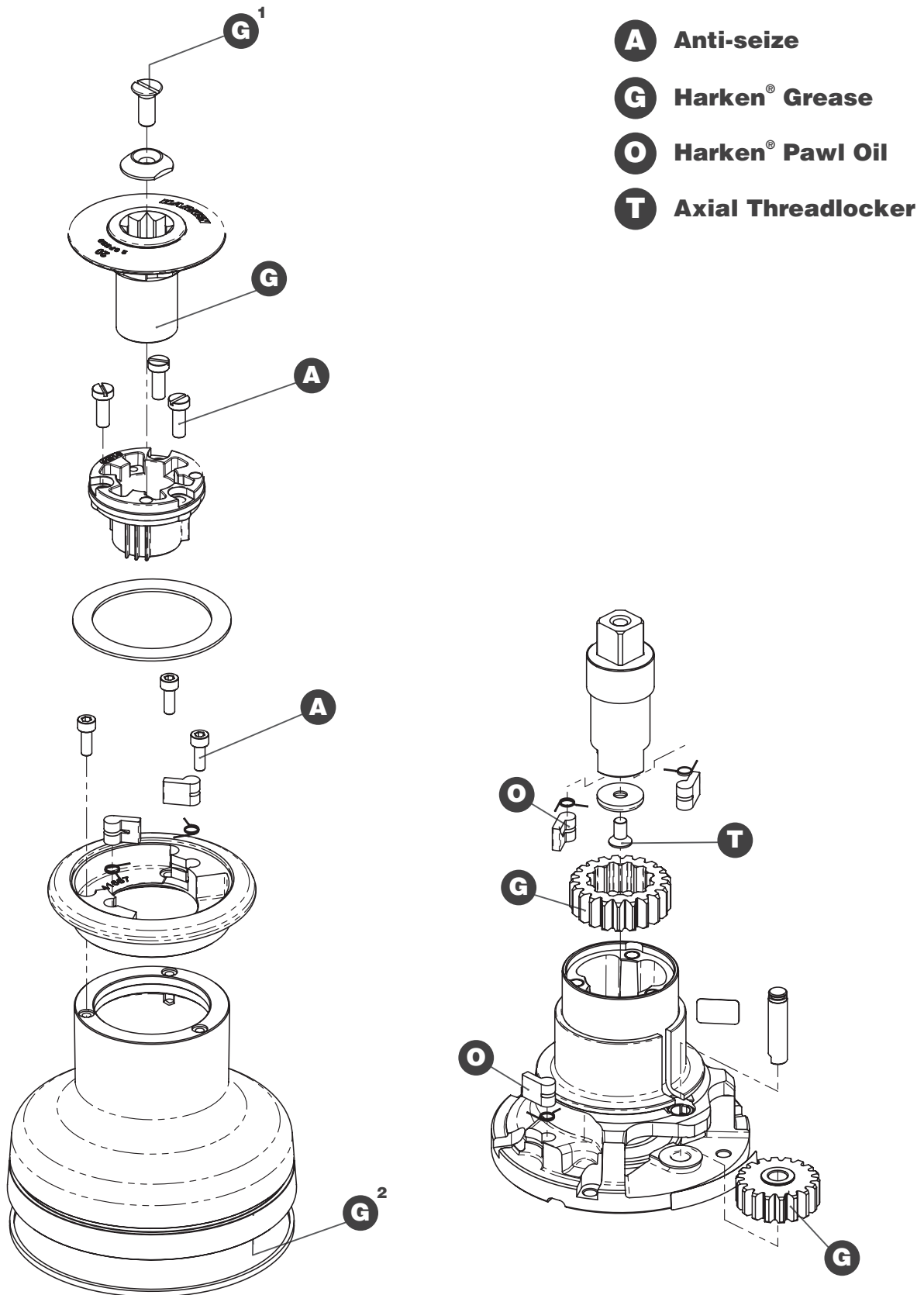
Carefully check the teeth of gears and ring gears to make sure there are no traces of wear.

Check the roller bearings and check there are no breaks in the bearing cages. Replace worn or damaged components.

Carry out maintenance on components using the products listed below.

For more information on which products to use where, refer to the exploded diagram below.

Use a brush to lightly lubricate all gears, gear pins, teeth and all moving parts with grease. Lightly lubricate the pawls and springs with oil. Do not use grease on the pawls!

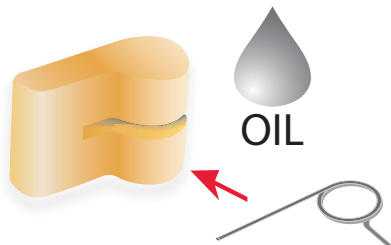
Exploded view with maintenance products

<sup>1</sup>Apply Harken® grease on assy socket screw  
<sup>2</sup>Apply Harken® grease on drum gear

Assembly

Make sure that the holes and drainage channels in the base of the winch are not obstructed  
 Assemble the winch in the reverse order of the sequence in the section on disassembly.

To tighten bolts, use the torque indicated in the disassembly procedure.



**To assemble the pawls:**

correctly position the spring in its housing as shown at left. Hold the spring closed and slide the pawl into its housing. Once in position, check that the pawls can be easily opened and closed with a finger.

In case of doubt concerning the assembly procedure contact Harken® Tech Service: [techservice@harken.it](mailto:techservice@harken.it)

**Harken® limited worldwide warranty**

Refer to the Harken® Limited Worldwide Warranty in the Harken® Catalogue and on the website [www.harken.com](http://www.harken.com)

**Ordering spare parts**

Spare parts can be requested from Harken® as described in the Harken® Limited Worldwide Warranty, indicating the part number in the Parts List and including the serial number of the winch for which the parts are required.

**The serial number of the winch is printed on a plate on the drum support of the winch.**



**Manufacturer*****Harken® Italy S.p.A.***

Via Marco Biagi, 14  
22070 Limido Comasco (CO) Italy  
Tel: **(+39) 031.3523511**  
Fax: **(+39) 031.3520031**  
Email: **info@harken.it**  
Web: **www.harken.com**

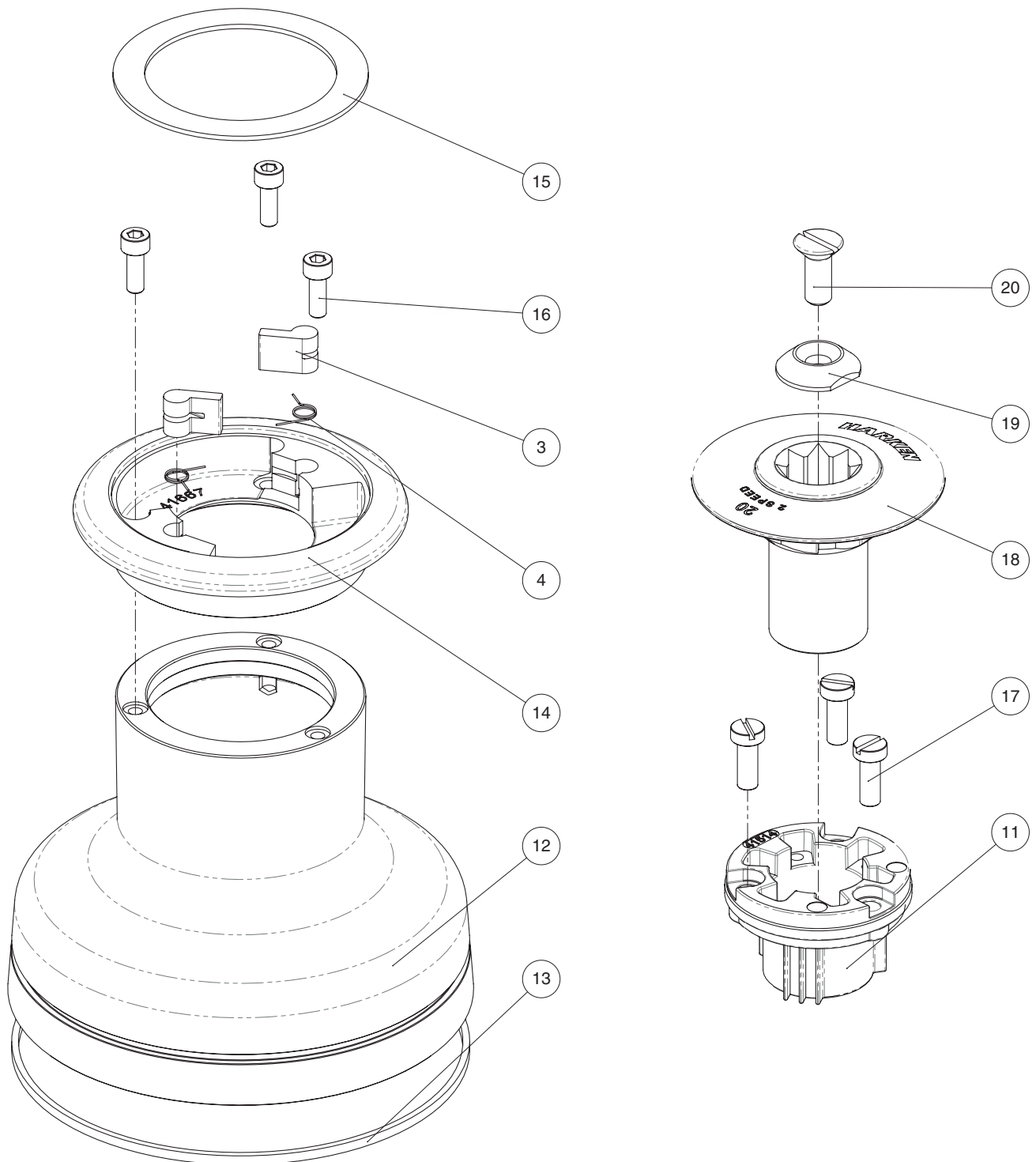
- **Tech Service**  
Email: **techservice@harken.it**
- **Customer Service**  
Tel: **(+39) 031.3523511**  
Email: **info@harken.it**

**Headquarters*****Harken®, Inc.***

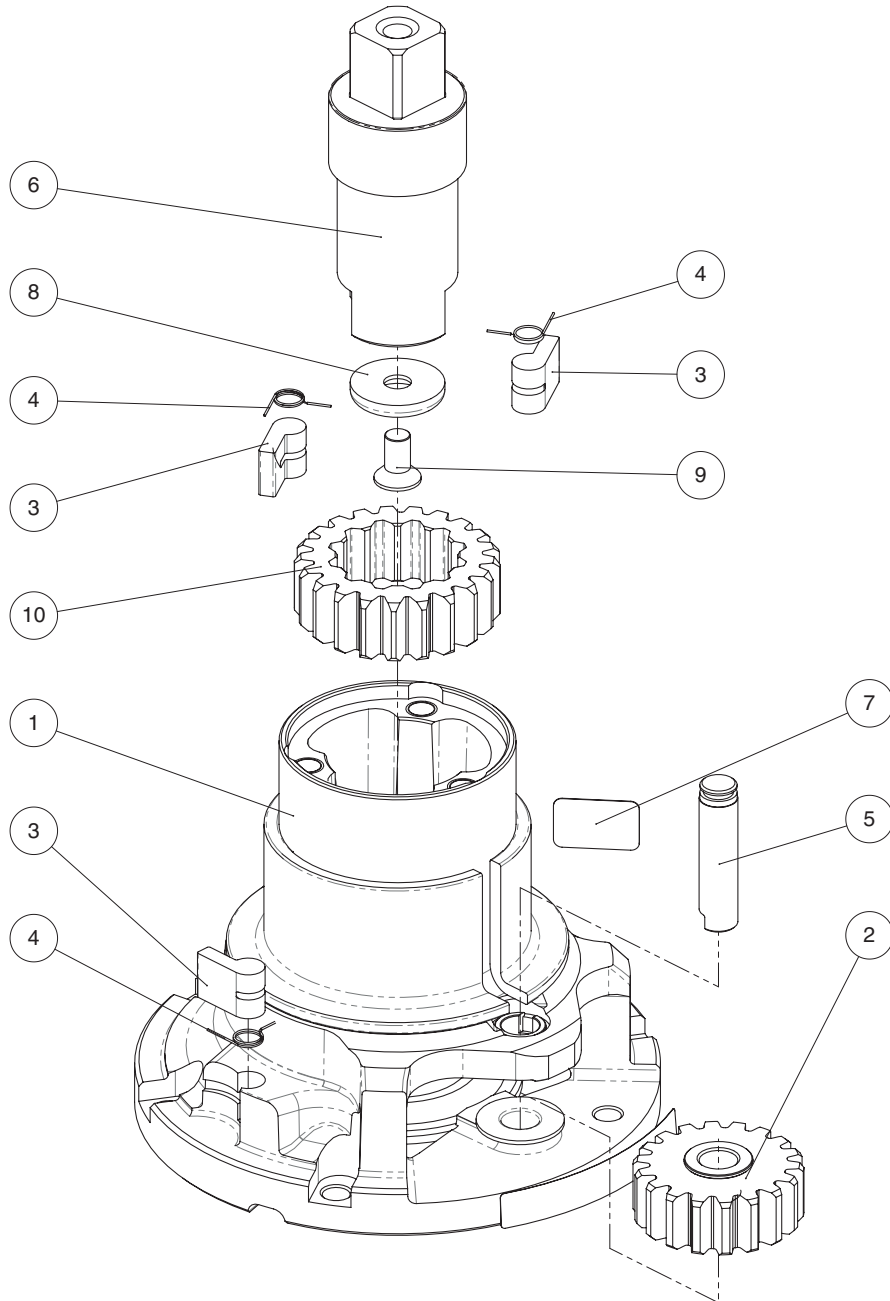
1251 East Wisconsin Avenue  
Pewaukee, Wisconsin 53072-3755 USA  
Tel: **(262) 691.3320**  
Fax: **(262) 691.3008**  
Email: **harken@harken.com**  
Web: **www.harken.com**

- **Tech Service**  
Email: **technicalservice@harken.com**
- **Customer Service**  
Tel: **(262) 691-3320**  
Email: **customerservice@harken.com**

Radial Winch 20.2 PTBBB, PTCCC



Radial Winch 20.2 PTBBB, PTCCC



## Radial Winch 20.2 PTBBB

BBB = all bronze

Pos.	Q.ty	Code	Description
1	1	A96874100	Assy housing Winch 20 Housing W20 CCC Heli-coil M6x9
	1	S413740085	Bushing Ø9xØ11x9
	1	S413960085	Bushing Ø9xØ11x12
	1	S413720080	Bushing Ø55xØ62x34
	1	S4137300B2	Washer Ø33.5xØ58x5.5
	1	S4137100A7	Bushing Ø28xØ33x25
2	1	A94136700	Assy Gear Z18 Gear Z18
	2	S418730080	Bushing Ø9xØ11x7
3	6	S000080003	Pawl Ø8*
4	6	S000380001	Pawl Spring Ø8*
5	1	S413700004	Pin
6	1	S415660002	Central Shaft W20 PT
7			Winch Serial Number Sticker
8	1	S268890080	Washer
9	1	M0604003	Screw M6x12 UNI 5933
10	1	S413620041	Gear Z21
11	1	S4151400A0	Socket Support PT
12	1	S416650043	Drum 20 BBB
13	1	S281670097	Red line
14	1	S416670043	Plain top W20 BBB
15	1	S678720082	Washer Ø56.5xØ75x1.5
16	3	M0638803	Screw M5x14 UNI 5931
17	3	M0601903	Screw M6x16 UNI1207
18	1	S416640046	Socket PT BBB
19	1	S415130085	Washer Ø7.7xØ25x5.8
20	1	M0614303	Screw M8x20 UNI 6109
21			Winch Product Sticker**

\*Available with service kit; see website [www.harken.com](http://www.harken.com)

\*\*Winch product sticker



## Radial Winch 20.2 PTCCC

CCC = All-Chrome bronze

Pos.	Q.ty	Code	Description
1	1	A96874100	Assy Housing Winch 20 Housing W20 CCC Heli-coil M6x9
	1	S413740085	Bushing Ø9xØ11x9
	1	S413960085	Bushing Ø9xØ11x12
	1	S413720080	Bushing Ø55xØ62x34
	1	S4137300B2	Washer Ø33.5xØ58x5.5
	1	S4137100A7	Bushing Ø28xØ33x25
2	1	A94136700	Assy Gear Z18 Gear Z18
	2	S418730080	Bushing Ø9xØ11x7
3	6	S000080003	Pawl Ø8*
4	6	S000380001	Pawl Spring Ø8*
5	1	S413700004	Pin
6	1	S415660002	Central Shaft W20 PT
7			Winch Serial Number Sticker
8	1	S268890080	Washer
9	1	M0604003	Screw M6x12 UNI 5933
10	1	S413620041	Gear Z21
11	1	S4151400A0	Socket Support PT
12	1	S416690043	Drum C W20
13	1	S281670097	Red line
14	1	S416710043	Plain Top W20 C
15	1	S678720082	Washer Ø56.5xØ75x1.5
16	3	M0638803	Screw M5x14 UNI 5931
17	3	M0601903	Screw M6x16 UNI1207
18	1	S416680046	Socket PT C
19	1	S415130085	Washer Ø7.7xØ25x5.8
20	1	M0614303	Screw M8x20 UNI 6109
21			Winch Product Sticker**

\*Available with service kit; see website [www.harken.com](http://www.harken.com)

\*\*Winch product sticker

