

PRIMARY INFORMATION:

Full Name
Phone Number
Email
Order Number
Color
Product Code
#Reefs on Sail 1 2 3 4 5
Boom Attachment Rope 7mm Rope 8mm Rope 9mm Rope 10mm
 Tape for bold rope Slides (advise in notes) Others (advise in notes)
#Lazy Jack Points 1 2 3 4 5
Measurement Unit Inches Milimeters

*Must select only one

*We recommend using Metric System to fill out this form

Required : Measure Tape

We recommend that you print this measurement form and take it with you when you measure your boat. Use the guides and instructions to fill in the details required. This form allows you to see the results of your measurements, and enables you to check, visually, what you have done. Submit your form by: email to mpsails@mauripro.com

MEASUREMENTS:

P: Supply P measurements (in meters) for jack lines

A: Circumference of mast

B: Height of sail from bottom edge of boom

C: Drop distance of sail bellow bottom of boom at forward end of bottom

D: Circumference of sail from bottom edge of boom (taken 0.5 mt aft of mast)

E: Aft circumference of sail from bottom edge of boom

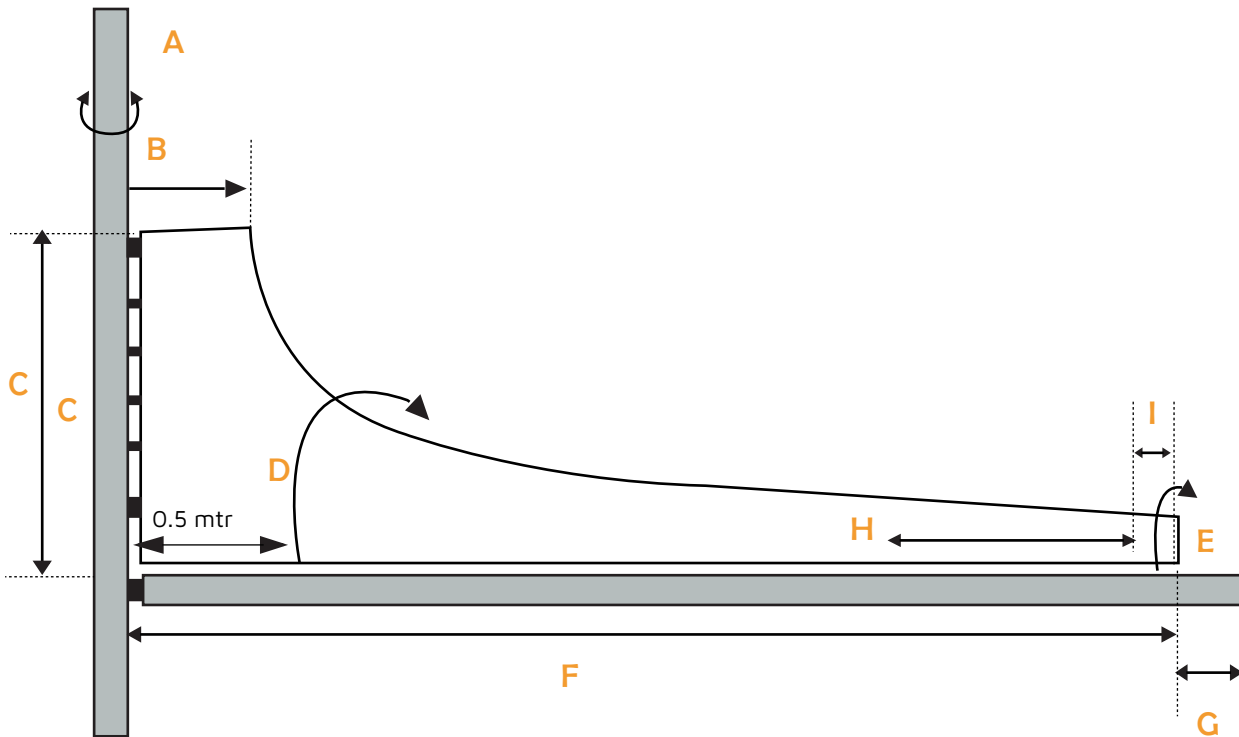
F: Distance from aft face of mast to clew point of sail



G: Distance from clew of sail to end of boom



H: Circumference of boom



Please note that allowances will be added to all measurements provided below at time of design. It is advised that allowances are not added by the customer at time of measuring. Tape measure should not be over tensioned when measuring girth measurements D & E.