



The stainless steel (AISI 316) RC6 automatic rope/chain anchor winch is Maxwell's smallest version in the highly successful vertical RC Series Windlass Range.



RC6 Low Profile

Features and benefits

- The stainless steel (AISI 316) RC6 Series incorporates a chromed bronze chainwheel suitable for use with 6 mm/7 mm (1/4") chain spliced to 12 mm (1/2") three strand or 8-braid (plait) rope.
- The RC6 features Maxwell's revolutionary, and patented, Wave Design™ chainwheel. Refer below for more information about this innovative feature.
- Providing most of the features of the larger RC8 (refer pages 286 - 287), the RC6 has been designed with the smaller, trailer boat market in mind.
- The in-line, vertical gearbox and motor means quick and easy installation by either the boat yard or the DIY aftermarket customer.
 - An inexpensive, high performance and great looking windlass; the RC6 is built for durability and years of trouble free use.
 - The RC6 is a Low Profile unit (no optional capstan drum).

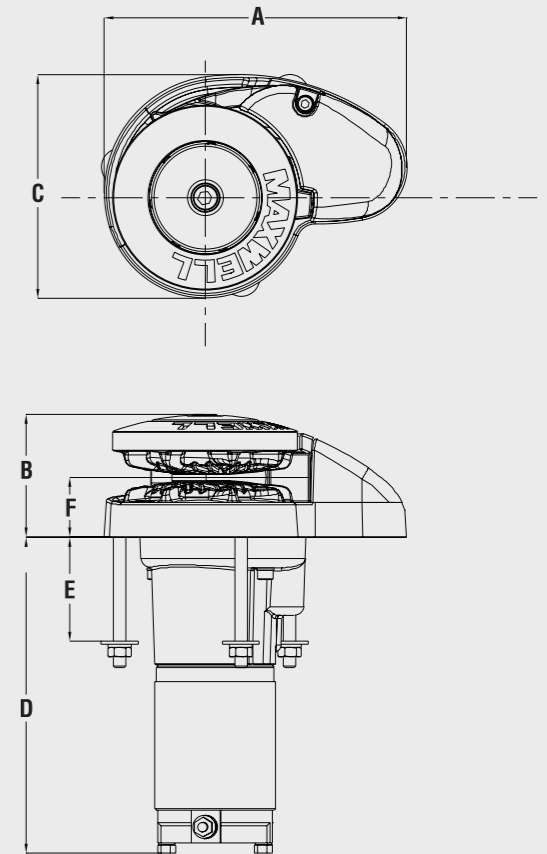
SPECIFICATIONS

Model	RC6
Maximum Pull/Lift	350 kg 770 lbs
Static Hold	700 kg 1540 lbs
Chain Short Link	6 mm/7mm 1/4"
Rope Size (Nylon)* (3 strand or 8 plait recommended)	12 mm 1/2"
Chain Speed (Anchor Retrieval)	24 m/min 79 ft/min
Rope Speed (Anchor Retrieval)	21 m/min 69 ft/min
Power Supply (DC)	12 or 24 V
Motor Power	500 W
Net Weight	8.5 kg 18.7 lbs

* refer to owners manual for rope size variations.

DIMENSIONS

Model	RC6
A	196 mm 7 3/4"
B	80 mm 3 3/16"
C	145 mm 5 3/4"
D	209 mm 8 1/4"
E	65 mm 2 1/2"
F	39 mm 1 9/16"



RC6 showing, "fast install", in-line vertical gearbox and motor

STANDARD EQUIPMENT REQUIRED FOR DUAL DIRECTION CONTROL

- Dual Direction Solenoid (included)
- Emergency 'free fall' activation lever (included)
- Up/Down remote control panel (not included)
- Circuit breaker/isolator panel (not included)

OPTIONS

- 1. AutoAnchor™ Equipment
- 2. Compact Remote
- 3. Foot Switches
- 4. Chain Stopper
- 5. Chain Snubber

Every Maxwell RC6 automatic rope/chain windlass comes with top works, gearbox, motor and dual direction solenoid. Switches and circuit breaker are available and need to be ordered separately. Refer chart on page 314.

Important: Maxwell windlasses must be used in conjunction with a chain stopper or alternative snubbing device to take the load off the windlass while laying at anchor. The chain stopper and alternative snubbing system should also be used to secure the anchor in the fully raised position while under way.

MAXWELL'S REVOLUTIONARY CHAINWHEEL

Maxwell lead the market yet again in innovative thinking when they introduced the Wave Design™ chainwheel. This patented rope/chain wheel incorporates two unique design concepts that greatly improve the handling and control of the rope/chain spliced rode. The outer ribs of the chainwheel are angled slightly forward ensuring that the rope and the chain are smoothly guided in the wheel during anchor retrieval.

As the rope pulls into the wheel, the opposite facing inner ribs grip the rope in an undulating manner, securing the rope more firmly in a 'wave pattern' action that is far superior to the traditional 'jam cleat' manner of holding the rope compared to all other products on the market. Not only does this Wave Design™ hold the rope more securely, it is also kinder on the rope resulting in increased longevity of your anchor rode.

