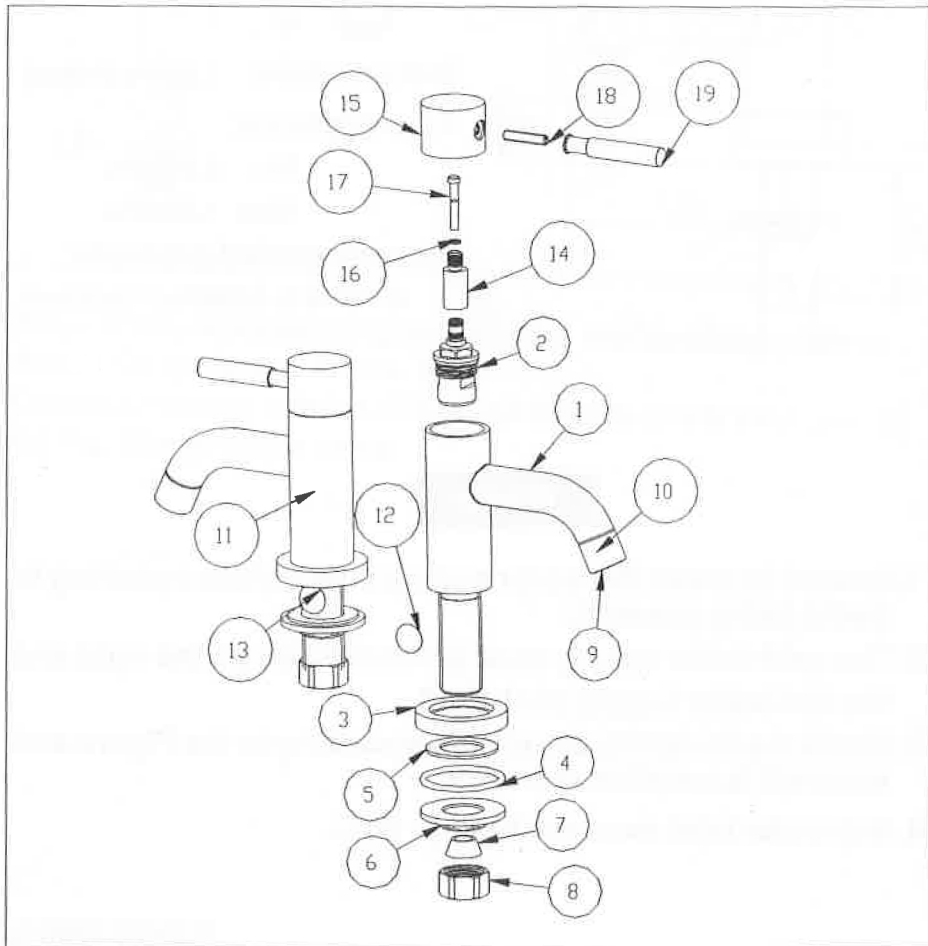


Pillar tap(cold,hot)

Installation Instruction

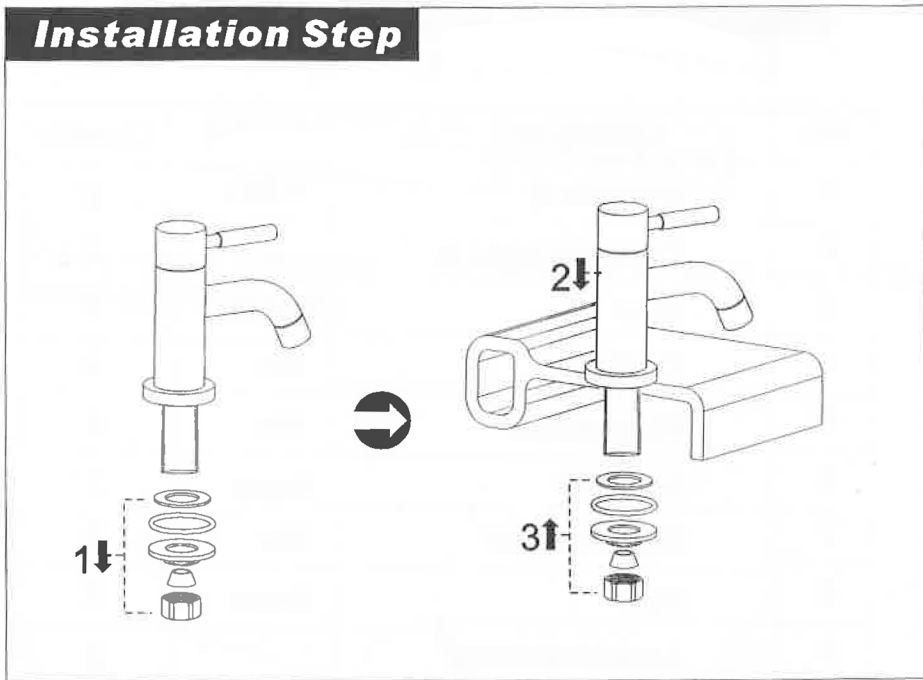
Please read this instruction carefully so as to avoid the installation difficulty.



Components List

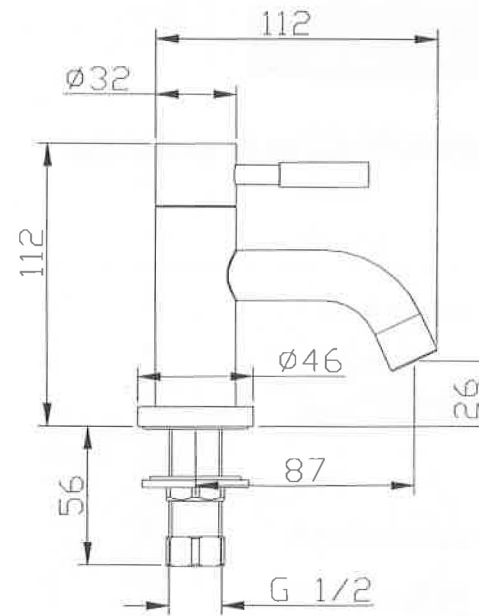
| NO | Component | Material | Quantity |
|----|--------------------|----------|----------|
| 1 | Main body | Brass | 2 |
| 2 | Ceramic head part | | 2 |
| 3 | Seat | Brass | 2 |
| 4 | O-ring | Nbr | 2 |
| 5 | Flat washer | Nbr | 2 |
| 6 | Lock nut | Brass | 2 |
| 7 | Cone washer | Nbr | 2 |
| 8 | Nut | Brass | 2 |
| 9 | Aerator surcoat | | 2 |
| 10 | Flat washer | Nbr | 2 |
| 11 | Ceramic head part | | 1 |
| 12 | Blue lable | | 1 |
| 13 | Red lable | | 1 |
| 14 | Longer rod | Brass | 2 |
| 15 | Handle cap | Brass | 2 |
| 16 | Spring shim | S.s.304 | 2 |
| 17 | Screw | S.s.304 | 2 |
| 18 | Female allen screw | S.s.304 | 2 |
| 19 | Handle | Brass | 2 |

Installation Step

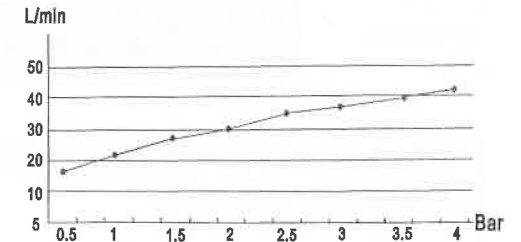


1. Read to the Installation Fig and confirm the installing position. Assemble the faucet to the deck.
2. Connect the hose with the shank and tighten. Cover each part as the Fig. Check before using.

Installation Fig



Flow rate Curves



Test pressure: 1.6MPa (16bar)

Flow pressure:

Min 0.05MPa

Max 1.60MPa

Recommended pressure:

0.1MPa to 0.5MPa (1 to 5 bar)

Note

1. Ensure to clean the water supply pipe before installing to avoid being jammed.
2. The cold-water supply must be connected on the right and the hot-water supply on the left.
3. Check the installing dimension according to the Figure and ensure it is installed correctly.
4. Hot-water inlet must not be over 80°C.