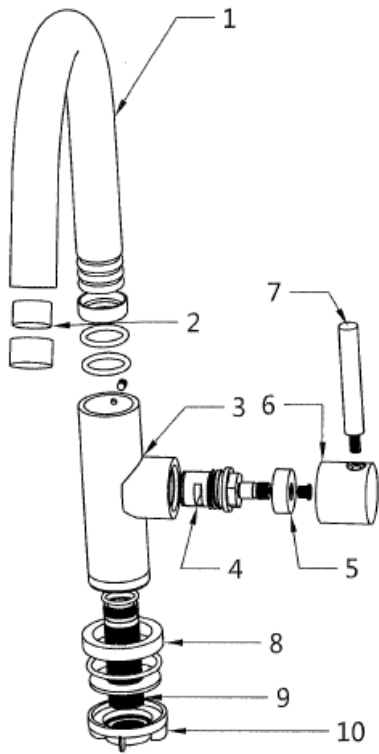


#74107



No.	Part No.	Name	Cost
1	90723-a	Spout sytem	
2	NPSPV	Aerator	
3	90723-b	Body	
4	GSJYSS25	Cartridge	
5	90723-c	Fixture	
6	90723-d	Handle	
7	90723-e	Knob	
8	90723-f	Base	
9	80722-1h	G _{1/2} " Fixing pipe	
10	80722-1g	Fixing Nut	