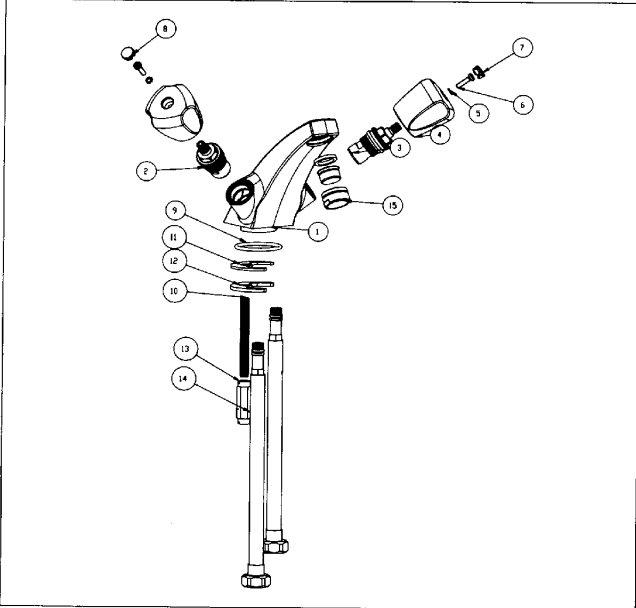


# Classic Family 70001

## Basin mixer with out pop up drain

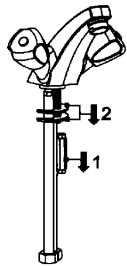
Please read this instruction carefully so as to avoid the installation difficulty.



### Components List

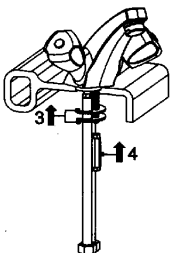
No.	Component	Material	Quantity
1	Main body	BRASS	1
2	Ceramic head part		1
3	Ceramic head part		1
4	Handle	ZINC	2
5	Spring shim	S.S 304	2
6	Screw	S.S 304	2
7	Blue index	ABS	1
8	Red index	ABS	1
9	O-ring	NBR	1
10	Fixing bolt	BRASS	1
11	Rubber fastening washer	NBR	1
12	Metal fastening washer	S.S 304	1
13	Nut	BRASS	1
14	Flexible connection hose		2
15	Aerator		1

### Installation Step

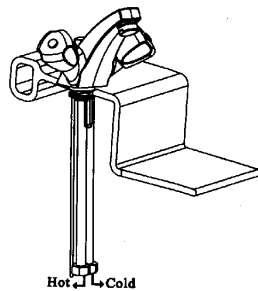


1

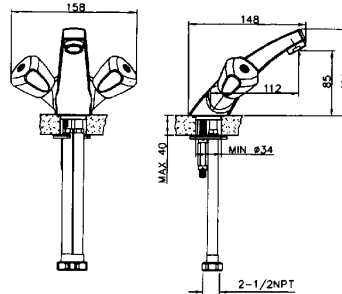
2



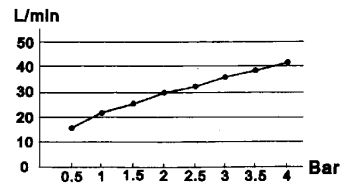
3



### Installation Fig



### Flow rate Curves



Test pressure: 1.6MPa (16bar)

Flow pressure:

Min 0.05MPa

Max 1.60MPa

Recommended pressure:

0.1MPa to 0.8MPa (1 to 8 bar)

### Note

1. Ensure to clean the water supply pipe before installing to avoid being jammed.
2. The cold-water supply must be connected on the right and the hot-water supply on the left.
3. Check the installing dimension according to the Figure and ensure it is installed correctly.
4. Hot-water inlet must not be over 80°C.