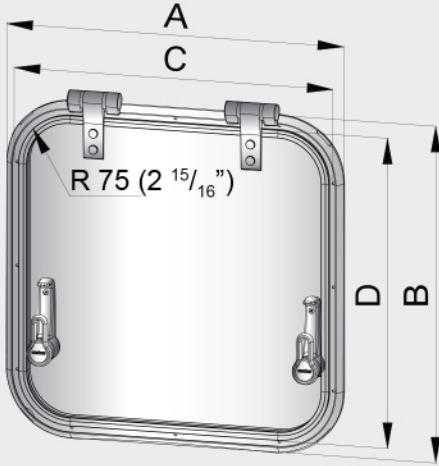




Planus hatches with **satin sheen anodized** aluminium frames, 75 mm (2¹⁵/₁₆") corner radius and "smoke" coloured acrylic lid of 10 mm (2⁵/₁₆") thickness.

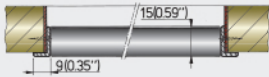
A special friction hinge allows all Planus hatches to remain open at any angle up to 180 degrees.

CE classified: All



Each Planus escape, deck or ventilation hatch can be supplied as an option, with an anodized aluminium counter flange and a mosquito screen.

PLA



Counter flange



Mosquito screen

	Escape hatches		Hatches		Ventilation		
External dimensions in mm and inch.	PLA50	PLA45	PLA40	PLA32	PLA34	PLA30	PLA23
A x B	521 (20 ⁹ / ₁₆ ") x 521 (20 ⁹ / ₁₆ ")	474 (18 ¹¹ / ₁₆ ") x 474 (18 ¹¹ / ₁₆ ")	424 (16 ¹¹ / ₁₆ ") x 424 (16 ¹¹ / ₁₆ ")	474 (18 ¹¹ / ₁₆ ") x 344 (13 ⁹ / ₁₆ ")	390 (15 ⁵ / ₁₆ ") x 260 (10 ⁴ / ₁₆ ")	350 (13 ¹² / ₁₆ ") x 280 (11")	280 (11") x 280 (11")
Cut-out dimensions in mm and inch.							
C x D	471 (18 ⁹ / ₁₆ ") x 471 (18 ⁹ / ₁₆ ")	424 (16 ¹¹ / ₁₆ ") x 424 (16 ¹¹ / ₁₆ ")	374 (14 ¹² / ₁₆ ") x 374 (14 ¹² / ₁₆ ")	424 (16 ¹¹ / ₁₆ ") x 294 (11 ⁹ / ₁₆ ")	340 (13 ⁶ / ₁₆ ") x 210 (8 ⁴ / ₁₆ ")	300 (8 ⁴ / ₁₆ ") x 230 (9 ¹ / ₁₆ ")	230 (9 ¹ / ₁₆ ") x 230 (9 ¹ / ₁₆ ")



Handles

VETUS hatch handles have a number of advantages.

- The hatch can be opened from either inside or outside.
- The hatch can be shut completely watertight, or secured with a small air gap to allow permanent ventilation.
- An internal locking mechanism ensures the hatch cannot be opened from outside when the boat is left unattended. This operates in both the closed or ventilation positions.
- The low external profile ensures that ropes, e.g. running rigging on sailing boats, cannot foul on the handles.

CLOSED



OPEN

